



Parallel (stamp hole) - Optical Area Fingerprint Sensor

Key Features:

Convenient & Safe & Facilitation - Just one touch and easy to enroll.

Durable - Resist static electricity and other tough environment.

Small Size is easy to integrate to any portable device.

Stable - Works well with dry, moist or rough fingerprints.

Anti fake fingerprint(option).

High C/P Ratio - Low cost with high performance.

low power consumption.



GT-5120E2

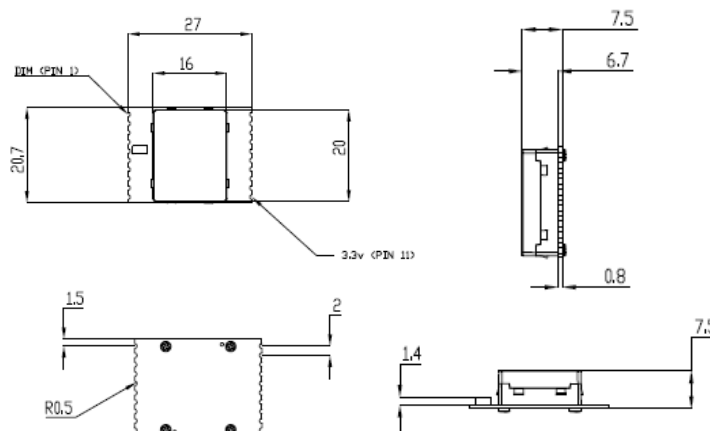
► **Application :**

- ✓ Door Lock , Safety Box , Luggage Lock , Brief Case , Padlock...etc.
- ✓ Remote Controller , E-Token , Toy , Pad computer
- ✓ POS · Time Attendance System...etc that needs the personal authentication.

► **Technical Spec:**

- Mechanical Dimension(W x L x H) **20.7 x 27 x 7.5 (mm)**
- Optical Mechanical Dimension(W x L x H) **16 x 20 x 7.5 (mm)**
- Effective sensing area **14 x 12 (mm)**
- Resolution **More than 403 dpi**
- TV distortion **< 4%**
- Interface **Parallel (20 pin)**
- Operating Temperature **-20°C ~ 60°C**
- Operating Humidity **0%~80%, Non-condense**
- Power **DC 3.3V**
- Power consumption **≤ 52 mA at MCLK=24 Mhz**

► **Mechanical Dimension:**



Gingy Technology Inc. (www.gingytech.com.tw)

TEL:886-3-5632500 FAX:886-3-5631189

NO.3, Creation Rd.II, Science Park, Hsin Chu 300, Taiwan, R.O.C.

Gingytech