



## Parallel - Optical Area Fingerprint Sensor

### GT-5110E1



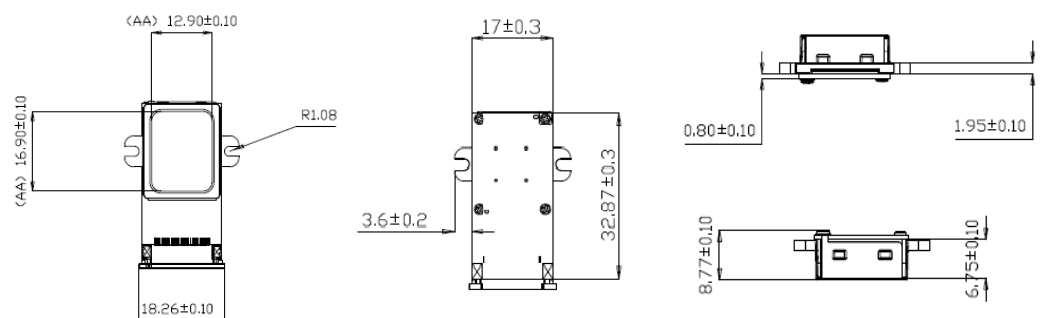
#### Application :

- ✓ Door Lock, Safety Box, Luggage Lock, Brief Case, Padlock...etc.
- ✓ Remote Controller, E-Token, Toy, Pad computer
- ✓ POS · Time Attendance System...etc that needs the personal authentication.

#### Technical Spec:

- |   |                               |
|---|-------------------------------|
| ➤ Mechanical Dimension(W x L x H)         | <u>17 x 32.8 x 7.5 (mm)</u>   |
| ➤ Optical Mechanical Dimension(W x L x H) | <u>16 x 20 x 7.5 (mm)</u>     |
| ➤ Effective sensing area                  | <u>14 x 12 (mm)</u>           |
| ➤ Resolution                              | <u>More than 403 dpi</u>      |
| ➤ TV distortion                           | <u>&lt; 4%</u>                |
| ➤ Interface                               | <u>Parallel (24pin FPC)</u>   |
| ➤ Operating Temperature                   | <u>-20°C ~ 60°C</u>           |
| ➤ Operating Humidity                      | <u>0%~80%, Non-condense</u>   |
| ➤ Power                                   | <u>DC 3.3V</u>                |
| ➤ Power consumption                       | <u>≤ 52 mA at MCLK=24 Mhz</u> |

#### Mechanical Dimension:



### Key Features:

Convenient & Safe & Facilitation - Just one touch and easy to enroll.

Durable - Resist static electricity and other tough environment.

Small Size is easy to integrate to any portable device.

Stable - Works well with dry, moist or rough fingerprints.

Anti fake fingerprint(option).

High C/P Ratio - Low cost with high performance.

low power consumption.

Gingy Technology Inc. ([www.gingytech.com.tw](http://www.gingytech.com.tw))

TEL:886-3-5632500 FAX:886-3-5631189

NO.3, Creation Rd.II, Science Park, Hsin Chu 300, Taiwan, R.O.C.

**Gingytech**